

# SMART Board® GX (V3) series



Display	
<b>Screen sizes (diagonal)</b>	65"   75"   86"
<b>Backlight</b>	LED
<b>Aspect ratio</b>	16:9
<b>Maximum display resolution</b>	4K UHD (3840 × 2160)
<b>Refresh rate</b>	60 Hz
<b>Lifespan</b>	≥ 50,000 hours
<b>Brightness<sup>1</sup></b>	400 cd/m <sup>2</sup>
<b>Display response time</b>	≤ 8 ms
<b>Viewing angle</b>	178°
<b>Glass</b>	Full heat-tempered   Anti-glare   Bonded
<b>Frame color</b>	Black
<b>Convenience buttons</b>	Power   Home   Volume   Freeze frame
<b>Sensors</b>	Ambient light   Infrared
<b>Audio</b>	2 integrated 20W speakers with high fidelity audio

Interactive experience	
<b>Touch technology</b>	Advanced infrared
<b>Touch features</b>	Simultaneous Tool Differentiation™ <sup>2</sup> Object Awareness™ <sup>3</sup> Silktouch™
<b>Typical touch response time</b>	≤ 8 ms
<b>Frame rate</b>	≥ 125 Hz
<b>Accuracy</b>	1 mm
<b>Minimum object size</b>	2 mm
<b>Multitouch capabilities</b>	40 – Windows® 32 – Android™ 20 – Mac 10 – Chrome OS™
<b>Tools included</b>	Pens (x2)
<b>Tool holders</b>	Magnetic   Frame-mounted
Software	
<b>Included</b>	Built-in Android experience SMART Notebook® SMART Product Drivers and SMART Ink®
<b>Optional</b>	SMART Notebook Plus Lumio by SMART™ SMART Meeting Pro® SMART TeamWorks™ SMART Remote Management

<sup>1</sup>Brightness of individual displays can vary.

<sup>2</sup>A connected computer with SMART Product Drivers is required.

Only supported in SMART Notebook and SMART Ink.

<sup>3</sup>When connected to a computer with SMART Product Drivers

**iQ built-in Android experience**

<b>Operating system</b>	Android version 11.0 (upgradable to Android 13.0) <sup>4</sup>
<b>CPU</b>	Quad-core
<b>Memory</b>	8 GB DDR4
<b>Storage</b>	64 GB
<b>Digital whiteboard</b>	✓
<b>Web browser</b>	✓
<b>Screen sharing</b>	✓
<b>Other features</b>	Input select File manager Overlay Split screen Picture-in-picture (PIP) with touch pass-through Interactive widgets App library
<b>WPS Office</b>	✓
<b>Ability to run third-party applications</b>	✓
<b>Cloud storage access</b>	✓
<b>Languages supported</b>	Arabic   Bulgarian   Chinese (simplified)   Chinese (traditional)   Croatian   Czech   Danish   Dutch   English   Estonian   Finnish   French   German   Greek   Hungarian   Indonesian   Italian   Japanese   Korean   Latvian   Lithuanian   Norwegian   Polish   Portuguese   Romanian   Russian   Serbian   Spanish   Swedish   Thai   Turkish   Ukrainian   Vietnamese
<b>Updates</b>	Over-the-air (OTA)

**PC computing**

<b>OPS support<sup>5</sup></b>	SMART PCM modules
<b>PC module power supported OPS</b>	90 W
<b>Optional computing module</b>	See > <a href="https://smarttech.com/accessories">smarttech.com/accessories</a>

<b>Inputs</b>	<b>Front</b>	<b>Back</b>
OPS PC accessory slot	–	1
HDMI® 2.0 with HDCP 1.4 and HDCP 2.2 support	1	2
Display Port 1.2	–	1
VGA video	–	1
Stereo 3.5 mm (variable)	–	1
RS-232 (DB-9 connector)	–	1
RJ45 (LAN IN)	–	1
USB Type-C 4K @ 60Hz Display Port alternate mode, touch, digital audio, USB 3.2 Gen 1 (DFP) for peripherals; 15 W power delivery	1	–
USB Type-C 4K @ 60Hz Display Port alternate mode, touch, digital audio, USB 2.0 Hi-Speed USB	–	1
USB 2.0 Type-A	–	1
USB 3.2 Gen 1 Type-A	2	2
USB 2.0 Type-B	1	1

<b>Outputs</b>	<b>Front</b>	<b>Back</b>
HDMI 2.0 with HDCP 1.4 and 2.2 support	–	1
Stereo 3.5 mm (variable)	–	1
S/PDIF optical (fixed)	–	1
RJ45 (LAN OUT)	–	1

<b>Included cables and accessories</b>	<b>Qty</b>
Country-specific power cable	1
16' 5" (5 m) USB 2.0 A to B cable	1
Pens	2
External dual-band Wi-Fi (2.4 and 5 GHz) and Bluetooth® (2.4 GHz) antennas	2
Remote control	1
AAA batteries	2
Illustrated installation instructions	1
Important information document	1

<sup>4</sup>Update available in 2024 using a USB drive (not available OTA).

<sup>5</sup>The support and performance of third-party OPS (Open Pluggable Specification) and OPS-C modules may vary. Conduct proper compatibility testing to avoid potential issues.

### Connectivity

<b>Wired</b>	RJ45 (x2) 1000baseT
<b>Wi-Fi</b>	IEEE 802.11ax (Wi-Fi 6) supporting WEP, WPA, WPA2, WPA3 PSK, and 802.1X EAP authentication protocols Wi-Fi access point
<b>Bluetooth</b>	5.0 dual mode

### Storage and operating requirements

<b>Power requirements</b>	100V to 240V AC, 50 Hz to 60 Hz
<b>Operating temperature</b>	32–95°F (0–35°C)
<b>Storage temperature</b>	14–140°F (-10–60°C)
<b>Humidity</b>	20–80% relative humidity, non-condensing

### Power consumption

<b>Typical</b>	65": 79 W 75": 88 W 86": 119 W
<b>Standby</b>	<0.5 W

### Certification and compliance<sup>6</sup>

<b>Regulatory models</b>	IDGX65-2   IDGX75-2   IDGX86-2
<b>US / Canada</b>	cULus   FCC   ISED   TSCA   CONEG Packaging   Proposition 65
<b>EU / EEA / EFTA / UK</b>	CE   UKCA   LVD   CB   EMCD   RED   REACH   RoHS   Battery   WEEE   Packaging   POP   Ecodesign
<b>Australia / New Zealand</b>	RCM
<b>Performance standards</b>	ENERGY STAR®   HDMI   HDCP

### Purchasing information<sup>7</sup>

#### Order numbers

<b>GX165-V3</b>	SMART Board® GX065-V3 interactive display with embedded OS
<b>GX175-V3</b>	SMART Board GX075-V3 interactive display with embedded OS
<b>GX186-V3</b>	SMART Board GX086-V3 interactive display with embedded OS

### Optional accessories

See > [smarttech.com/accessories](https://smarttech.com/accessories)

### SMART Warranty

Terms and conditions and warranty upgrade options vary by region. Visit [smarttech.com/warranty](https://smarttech.com/warranty) or contact your reseller for information.

### Cable requirements

See > *SMART cables and connectors guide* ([docs.smarttech.com/kb/171926](https://docs.smarttech.com/kb/171926))



<sup>6</sup>Product availability may vary by region.

This product has received additional certifications not listed here.

<sup>7</sup>Order numbers may vary by region.

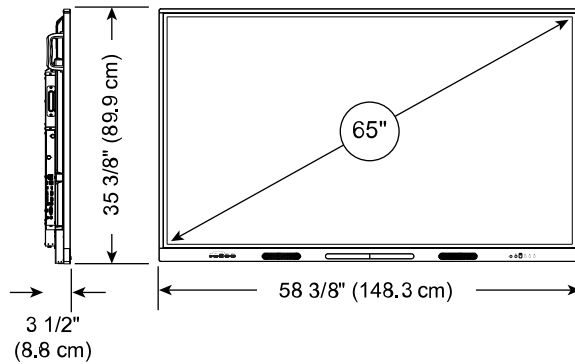
## Installation, dimensions, and weights

### Notes

- All dimensions  $\pm 1/8"$  (0.3 cm). All weights  $\pm 2$  lb. (0.9 kg).
- Product ships upright.

### 65" models

#### Dimensions



#### Weight

82 lb. (37 kg)

#### Shipping dimensions (including pallet)

63 3/4"  $\times$  45 7/8"  $\times$  6 1/4"  
(162 cm  $\times$  116.5 cm  $\times$  16 cm)

#### Shipping weight

118 lb. (54 kg)

#### VESA mount

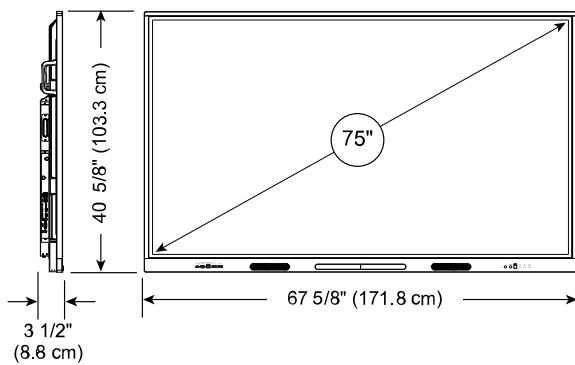
M8 | 600  $\times$  400 mm

#### Handles

2

### 75" models

#### Dimensions



#### Weight

114 lb. (52 kg)

#### Shipping dimensions (including pallet)

71 5/8"  $\times$  50 5/8"  $\times$  6 1/4"  
(182 cm  $\times$  128.5 cm  $\times$  16 cm)

#### Shipping weight

158 lb. (71 kg)

#### VESA mount

M8 | 800  $\times$  400 mm

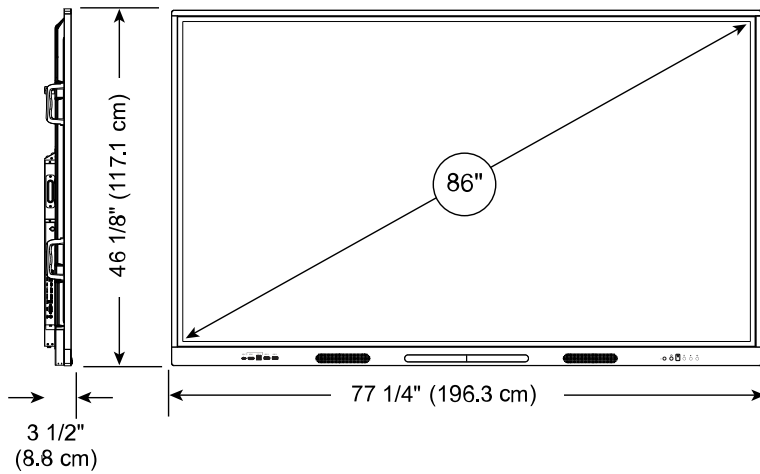
#### Handles

2

## Installation, dimensions, and weights (continued)

### 86" models

#### Dimensions



#### Weight

143 lb. (65 kg)

#### Shipping dimensions (including pallet)

85 1/4" × 56 7/8" × 6 1/4"  
(216.5 cm × 144.5 cm × 16.0 cm)

#### Shipping weight

198 lb. (90 kg)

#### VESA mount

M8 | 800 × 600 mm

#### Handles

4

[smarttech.com](http://smarttech.com)  
[smarttech.com/contact](http://smarttech.com/contact)

© 2024 SMART Technologies ULC. All rights reserved. SMART Board, SMART Notebook, Lumio by SMART, SMART Meeting Pro, SMART TeamWorks, SMART Ink, Simultaneous Tool Differentiation, Object Awareness, Silktouch, smarttech, the SMART logo and all SMART taglines are trademarks or registered trademarks of SMART Technologies ULC in the U.S. and/or other countries. The Adopted Trademarks HDMI, HDMI High-Definition Multimedia Interface, and the HDMI Logo are trademarks or registered trademarks of HDMI Licensing Administrator, Inc. in the United States and other countries. The Bluetooth word mark is owned by the Bluetooth SIG, Inc. and any use of such marks by SMART Technologies ULC is under license. Android and Chrome OS are trademarks of Google Inc. All other third-party product and company names may be trademarks of their respective owners. This product and/or use thereof is covered by one or more of the following U.S. patents: [www.smarttech.com/patents](http://www.smarttech.com/patents). Contents are subject to change without notice. January 17, 2024.