

SMART Board® M700V series

SBM777V-43
 SBM787V
 SBM794V-169
 SBM797V



Overview

The SMART Board® M700V series interactive whiteboards are wall-mounted, front projection interactive whiteboards.

These interactive whiteboards let you do everything you can do at your computer by touching the interactive screen with your finger or the included pen: open and close applications, browse through files, hold meetings with others, create new documents or edit existing ones, visit websites, play video clips, and more. When you connect your interactive whiteboard to a computer and a projector, your computer image is displayed on the interactive screen. You can write over any application in digital ink, and then save the notes for future reference and distribution.

Interactive experience

Touch technology	Advanced IR with Object Awareness™ (distinguishes between pen, finger, eraser, and palm)
Touch and gesture support	Write and erase digital ink Perform mouse functions Use gestures ¹
Multitouch capabilities	Support for up to 20 simultaneous touches and up to two users
Digitizing resolution	Approximately 32,767 × 32,767

Hardware

Screen surface	Durable hard-coated steel surface Optimized for projection Compatible with dry-erase markers
Frame finish	White

Software

SMART Notebook®	Included
SMART Ink® and SMART Product Drivers	Included
SMART Learning Suite	Optional

smarttech.com
smarttech.com/contact

© 2022 SMART Technologies ULC. All rights reserved. SMART Board, SMART Notebook, SMART Ink, Object Awareness, smarttech, the SMART logo and all SMART taglines are trademarks or registered trademarks of SMART Technologies ULC in the U.S. and/or other countries. Windows is either a registered trademark or trademark of Microsoft Corporation in the United States and/or other countries. Mac and macOS are trademarks of Apple Inc., registered in the U.S. and other countries. All other third-party product and company names may be trademarks of their respective owners. This product and/or use thereof is covered by one or more of the following U.S. patents: www.smarttech.com/patents. Models and specifications may vary by region. Please contact your local representative for details. Contents are subject to change without notice. June 24, 2022.

¹SMART Product Drivers must be installed to enable all features in SMART software.

Included cables and accessories	Qty
16' 5" (5 m) USB cable	1
Pens (passive)	2
Pen ledge	1
Illustrated installation instructions	1
Important information document	1

Note

A digital projector isn't included with the interactive whiteboard. To take advantage of all interactive features, you must integrate the interactive whiteboard with a digital projector.

Computer requirements

Windows® and Mac

SMART Notebook minimum version	20
SMART Product Drivers minimum version	12.16
Other requirements	See SMART Notebook 20 software for Windows and Mac

Linux®

SMART Notebook minimum version	11.1 for Linux
SMART Product Drivers minimum version	12.17 (required for Ubuntu® 20.04)
Other requirements	See smarttech.com/kb/171706

Power and computer connection

Power source	Obtains power from the computer through the USB cable on Windows and Mac computers
Power consumption	< 2.5 W (500 mA at 5V)
Computer connection	12 Mbps USB connection (full-speed USB 2.0)

Storage and operating requirements

Operating temperature	41°F to 95°F (5°C to 35°C)
Storage temperature	-4°F to 140°F (-20°C to 60°C)
Humidity	Up to 80% humidity, non-condensing

Certification and compliance²

US / Canada	UL, FCC, ISED, CONEG Packaging, Cal Prop 65
EU / EEA / EFTA / UK	CE - LVD, EMCD, REACH, POP, RoHS, WEEE, Packaging
EAEU	EAC

Purchasing information

Order number: SBM777V-43	SMART Board M777V-43 interactive whiteboard
Order number: SBM787V	SMART Board M787V interactive whiteboard
Order number: SBM794V-169	SMART Board M794V-169 interactive whiteboard
Order number: SBM797V	SMART Board M797V interactive whiteboard

Warranty

SMART Warranty	Three-year limited equipment warranty (see smarttech.com/warranty for more information)
-----------------------	---

²Product availability may vary by region.

This product has received additional certifications not listed here.

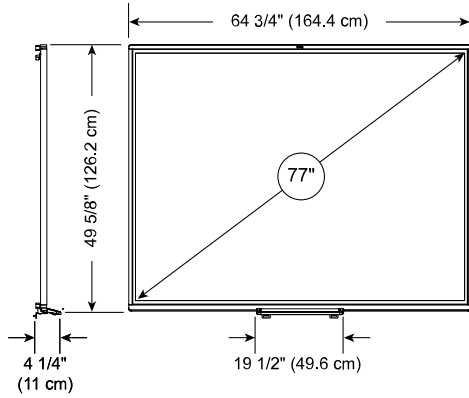
Dimensions and weights

Note

All dimensions $\pm 1/8"$ (0.3 cm). All weights ± 2 lb. (0.9 kg).

SBM777V-43

Dimensions



Projection area

61 5/8" \times 46 1/4" (156.5 cm \times 117.4 cm)

Aspect ratio

4:3

Weight

29 lb. (13 kg)

Shipping dimensions

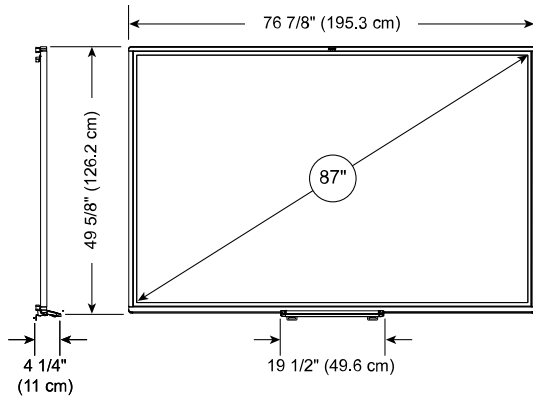
69 1/4" \times 54 1/4" \times 4"
(175.9 cm \times 137.7 cm \times 10.3 cm)

Shipping weight

45 lb. (20 kg)

SBM787V

Dimensions



Projection area

73 3/4" \times 46 1/8" (187.5 cm \times 117.1 cm)

Aspect ratio

16:10

Weight

33 lb. (15 kg)

Shipping dimensions

81 1/2" \times 54 1/4" \times 4"
(206.9 cm \times 137.7 cm \times 10.3 cm)

Shipping weight

52 lb. (23 kg)

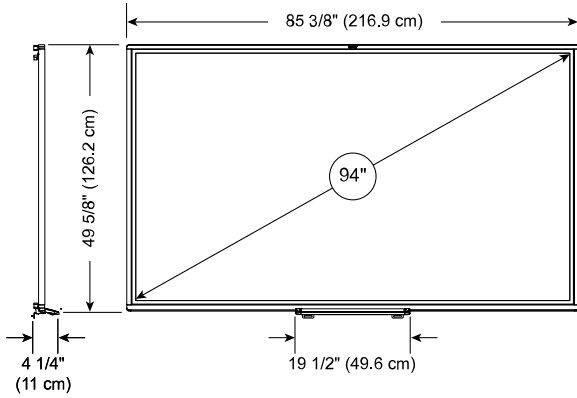
Dimensions and weights (continued)

Note

All dimensions $\pm 1/8"$ (0.3 cm). All weights ± 2 lb. (0.9 kg).

SBM794V-169

Dimensions



Projection area

82" x 46 1/8" (208.3 cm x 117.2 cm)

Aspect ratio

16:9

Weight

39 lb. (18 kg)

Shipping dimensions

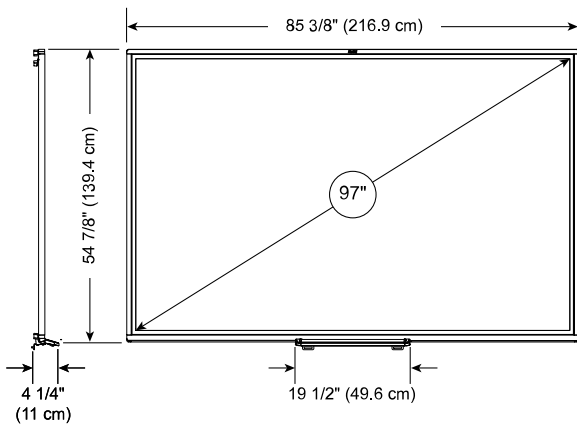
89 7/8" x 54 1/4" x 4"
(228.4 cm x 137.7 cm x 10.3 cm)

Shipping weight

59 lb. (27 kg)

SBM797V

Dimensions



Projection area

82 1/4" x 51" (209.5 cm x 129.6 cm)

Aspect ratio

16:10

Weight

51 lb. (23 kg)

Shipping dimensions

89 7/8" x 59 1/2" x 4"
(228.4 cm x 151 cm x 10.3 cm)

Shipping weight

74 lb. (33 kg)