

## Specifications

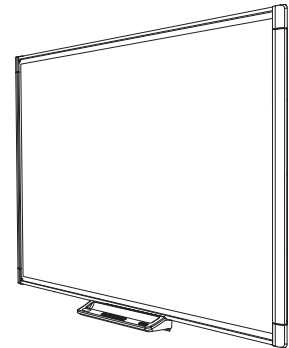
# SMART Board® interactive whiteboard

Model SBM685V

## Overview

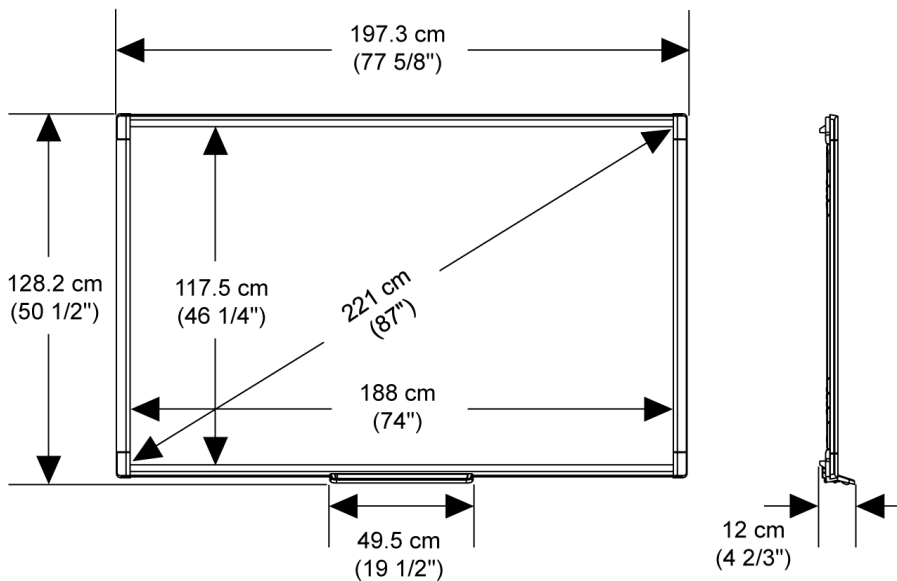
Your SMART Board® M685V interactive whiteboard features a durable interactive surface, two damage-resistant pens and SMART's proprietary DVIT® (Digital Vision Touch) technology. The SBM685V model supports dual touch, dual write and intuitive gestures, such as toss, rotate and zoom, available with multitouch operating systems, such as Windows® 7 or Mac Snow Leopard.

See [smarttech.com](http://smarttech.com) for more information on this product.



## Dimensions and weights<sup>1</sup>

### Dimensions



### Weight

23.1 kg (51 lb.)

### Shipping dimensions

208.3 cm × 134.6 cm × 11.4 cm  
(82" × 53" × 4 1/2")

### Shipping weight

31.3 kg (69 lb.)

### Accessory kit weight (pen ledge)

1.4 kg (3 lb. 2 oz.)

<sup>1</sup>All dimensions ± 1/8" (0.3 cm). All weights ± 2 lb. (0.9 kg).

## Standard features

<b>Software</b>	You can install SMART Learning Suite, including SMART Notebook® collaborative learning software, SMART Product Drivers, and SMART Ink®, from <a href="http://smarttech.com/downloads">smarttech.com/downloads</a> . Software upgrades are also available.
<b>Computer requirements</b>	A computer or laptop with a Windows® operating system, Mac operating system software or Linux® operating system and SMART Learning Suite installed. For a complete list of computer requirements, go to the <a href="#">SMART Notebook software release notes</a> . <sup>2</sup>
<b>Touch and gestures</b>	Enables you to write, to erase and to perform mouse functions by touching the interactive whiteboard with your finger or a pen. This interactive whiteboard also features gesture capability, providing a natural and flexible way to interact with content.
<b>Multitouch capabilities</b>	Support for two simultaneous touches enables up to two users to interact with the interactive whiteboard by using the included pens or other objects, or by using their fingers to write and to perform gestures.
<b>Pen ledge</b>	The durable pen ledge holds the two included pens.
<b>Pen</b>	Includes two pens
<b>Screen surface</b>	The hard-coated steel surface is durable, is optimized for projection and is compatible with dry-erase markers.
<b>Digitizing technology</b>	Four-camera DViT
<b>Frame finish</b>	White and light gray (approximates PANTONE® Cool Gray 4C)
<b>Power requirements</b>	1.8 m (6') power cable. Power consumption is less than 7 W (100V to 240V AC, 50/60 Hz, 5V DC 2.0A).
<b>Computer connection</b>	Includes a 5 m (16') USB 2.0 cable to connect to the room computer. Your SMART Board M685V interactive whiteboard supports one computer connection on a primary display only.

## Temperature specifications

<b>Storage</b>	-20°C to 50°C (-4°F to 122°F)
<b>Operation</b>	5°C to 35°C (41°F to 95°F) with up to 80% humidity, non-condensing

## Certification and compliance

<b>Regulatory certification</b>	CSA (U.S./Canada)
<b>Environmental compliance</b>	
China	EIP
European Union	REACH, RoHS, WEEE, Packaging and ErP Standby
U.S.	Packaging and Conflict Minerals

<sup>2</sup>A digital projector isn't included with this model of SMART Board interactive whiteboard. To take advantage of all interactive features, you must integrate a digital projector.

## Purchasing information

### Order numbers

SBM685V 221 cm (87") diagonal SMART Board M685V interactive whiteboard with pen ledge. Includes a SMART Notebook software installation DVD.

---

SBM685V-B Bulk order of 10 SBM685V units

---

**Optional accessories** See [smarttech.com/accessories](http://smarttech.com/accessories)

---

**Warranty** Two-year limited equipment warranty (see [smarttech.com/warranty](http://smarttech.com/warranty) for more information)

---

[smarttech.com/support](http://smarttech.com/support)  
[smarttech.com/contactsupport](http://smarttech.com/contactsupport)

© 2013–2019 SMART Technologies ULC. All rights reserved. SMART Board, DViT, SMART Notebook, SMART ink, smarttech, the SMART logo and all SMART taglines are trademarks or registered trademarks of SMART Technologies ULC in the U.S. and/or other countries. All third-party product and company names may be trademarks of their respective owners. This product and/or use thereof is covered by one or more of the following U.S. patents: [www.smarttech.com/patents](http://www.smarttech.com/patents). Contents are subject to change without notice. October 23, 2019.